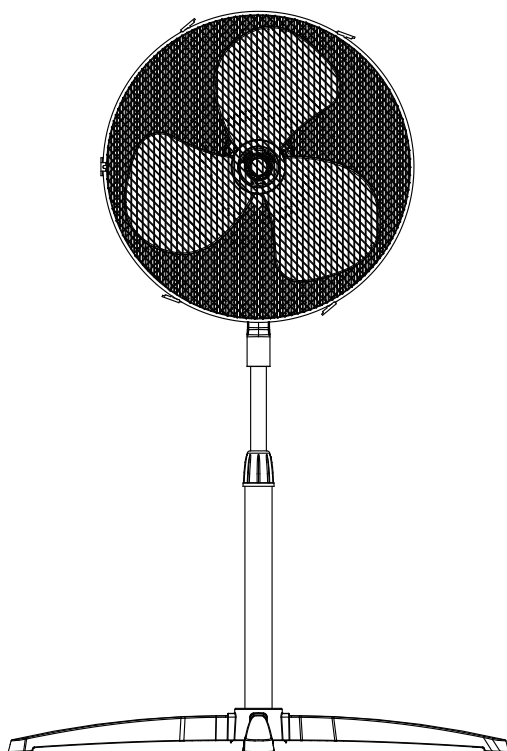




OWNER'S MANUAL

16" Stand Fan

MODEL: FS40-20M



READ AND SAVE THESE INSTRUCTIONS

Attention: Pictures in the IM are for reference only.

Midea Italia S.r.l. a socio unico
viale Luigi Bodio 29
20158 Milano, Italia

CAUTION

Read Rules for Safe Operation and Instructions Carefully.

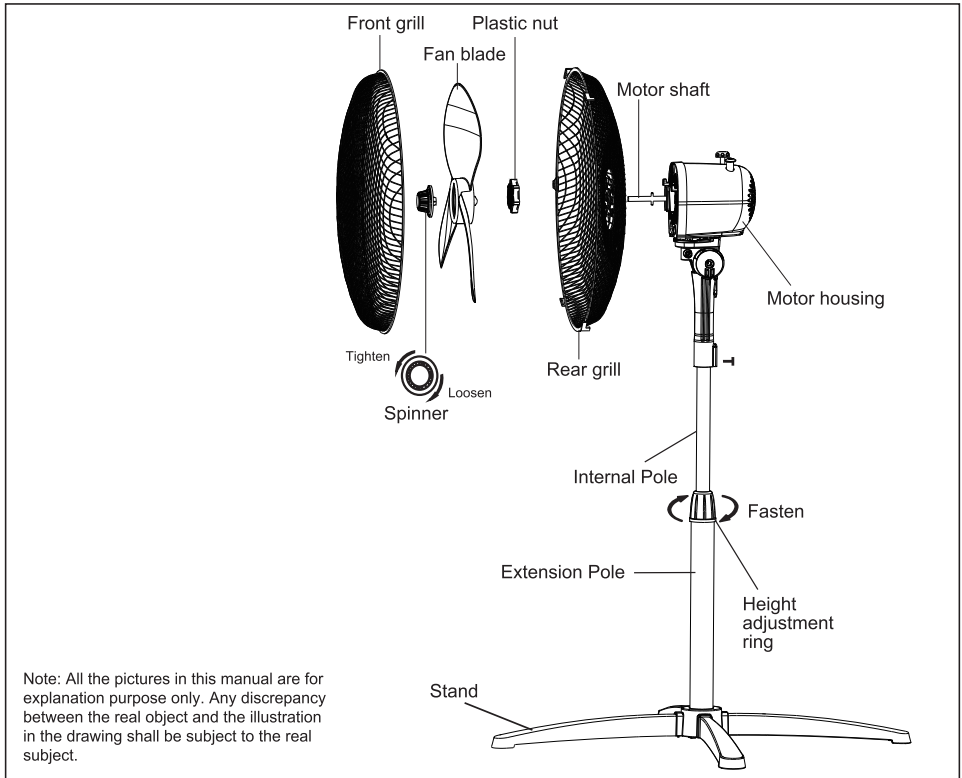
WARNING

1. If the supply cord is damaged, it must be replaced by manufacturer or its service agent or a similarly qualified person in order to avoid a hazard.
2. To protect against the risk of electrical shock, do not immerse the unit, cord or plug in water or other liquid.
3. This appliance can be used by children aged from 8 years and above and persons with reduced physical, sensory or mental capabilities or lack of experience and knowledge if they have been given supervision or instruction concerning use of the appliance in a safe way and understand the hazards involved. Children shall not play with the appliance. Cleaning and user maintenance shall not be made by children without supervision.
4. When the appliance is not in use and before cleaning, unplug the appliance from the outlet.
5. Keep electrical appliances out of reach from Children or infirm persons. Do not let them use the appliances without supervision.
6. When the fan was assembled, the rotor blade guard shall not be taken off anymore
 - Prior cleaning unplug the fan.
 - The rotor guard shall not be disassembled/opened to clean the rotor blades.
 - Wipe the fan enclosure and rotor blade guard with a slightly damp cloth.

RULES FOR SAFE OPERATION

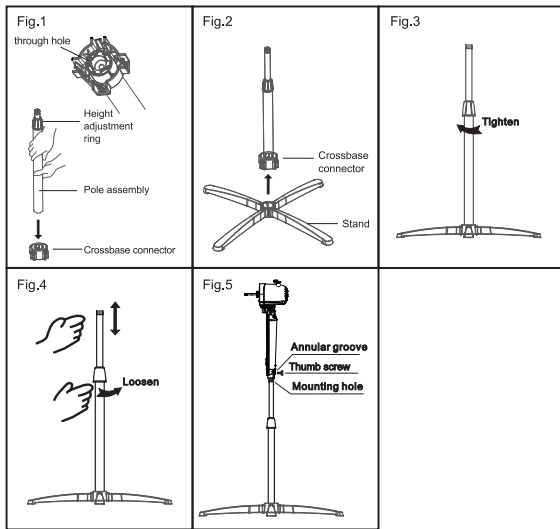
1. Never insert fingers, pencils, or any other object through the grille when fan is running.
2. Disconnect fan when moving from one location to another.
3. Be sure fan is on a stable surface when operating to avoid overturning.
4. DO NOT use fan in window, rain may create electrical hazard.
5. Household use only.

PARTS NAME



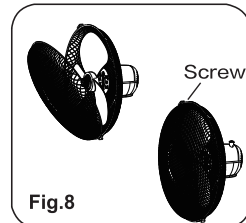
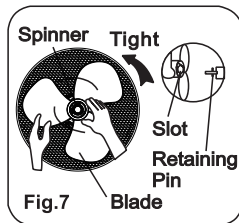
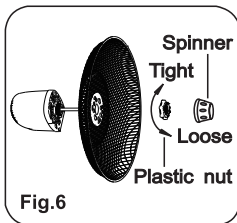
ASSEMBLY OF CROSS STAND & COLUMN UNIT

1. Insert the pole assembly into the connector from top to bottom, ensure it is installed in place (Through the through hole at the bottom of the connector, it can be judged whether the pole is installed in place) .(Fig.1)
2. Insert 4 stands into the crossbase connector. Ensure the stands are well fixed into the connector.(Fig.2)
3. From the extension pole loosen the height adjustment ring and adjust the internal pole to the desired height. (Note: If you can't find the internal pole, it slides inside the extension pole. You can pull it out from the extension pole.) Fasten the height adjustment ring.(Fig.3,4)
4. To attach the head unit to the internal pole, loosen the thumb screw on the bottom of the head unit. Place the head unit on the internal pole and tighten the thumb screw in alignment with the groove on the internal pole. (Fig.5)



GRILL & FAN BLADE ASSEMBLY

1. Unscrew the spinner clockwise (or take the spinner out from the bag) and the plastic nut counterclockwise to remove both of them. Fix the rear grill to the motor then tighten the plastic nut again. (Fig. 6)
2. Insert the blade into shaft, and make sure the rotor shaft pin is fitted into groove of the blade. Turn the spinner counterclockwise to tighten the blade. (Fig. 7)
3. Fasten the front grill and the rear grill by the grill clip and then tighten the fan grill locking screw and nut. (Fig. 8)



OPERATING INSTRUCTION

1. Speed is controlled by the Knob switch:
0---Off 1---Low 2---Medium 3---High
2. To make/stop the fan head oscillate. Push down/pull up the clutch knob.
3. To adjust the air flow upward or downward, push the grilles lightly to the desired direction.
4. The height of the fan can be adjusted by loosening the height adjustment ring, carefully carefully raising or lowering the fan and firmly re-tightening the height adjustment ring.

MAINTENANCE INSTRUCTION

The fan requires little maintenance. Do not try to fix it by yourself. Refer it to qualified service personnel if service is needed.

1. Before cleaning and assembling, fan must be unplugged.
2. To ensure adequate air circulation to the motor, keep vents at the rear of the motor free of dust. Do not disassemble the fan to remove dust.
3. Please wipe the exterior parts with a soft cloth soaking a mild detergent.
4. Do not use any abrasive detergent or solvents to avoid scratching the surface.
Do not use any of the following as a cleaner: gasoline, thinner.
5. Do not allow water or any other liquid into the motor housing or interior parts.

CLEANING

1. Be sure to unplug from the electrical supply source before cleaning.
2. Plastic parts should be cleaned with a soft cloth moisten with mild soap.
Thoroughly remove soap film with dry cloth.

DISPOSAL: Do not dispose of electrical appliances as unsorted municipal waste, use separate collection facilities. Contact your local government for information regarding the collection systems available. If electrical appliances are disposed of in landfills or dumps, hazardous substances can leak into the groundwater and get into the food chain, damaging your health and well-being.

